

SI-810

Volumetric Scale

Essae[®]
...for Excellence



e-Commerce



Logistics



Distribution
Center



Warehouse

High Precision Weighing & Dimensioning Scale



Technical Specification

General Specification	
Model	SI-810 Volumetric Scale
Weighing unit	kg
Measuring unit	cm, mm
Maximum weight	50 kg
Weighing increment	5 g
Platform size	600 x 600 mm
Measuring sensor	Red Light Laser Sensor (Class 2)

Performance Specification	
Maximum object size	600 mm [Length]
	600 mm [Width]
	600 mm [Height]
Minimum object size	30 mm [Length]
	30 mm [Width]
	30 mm [Height]
Measuring increment	5 mm
Measurement time	3 ~ 4 s

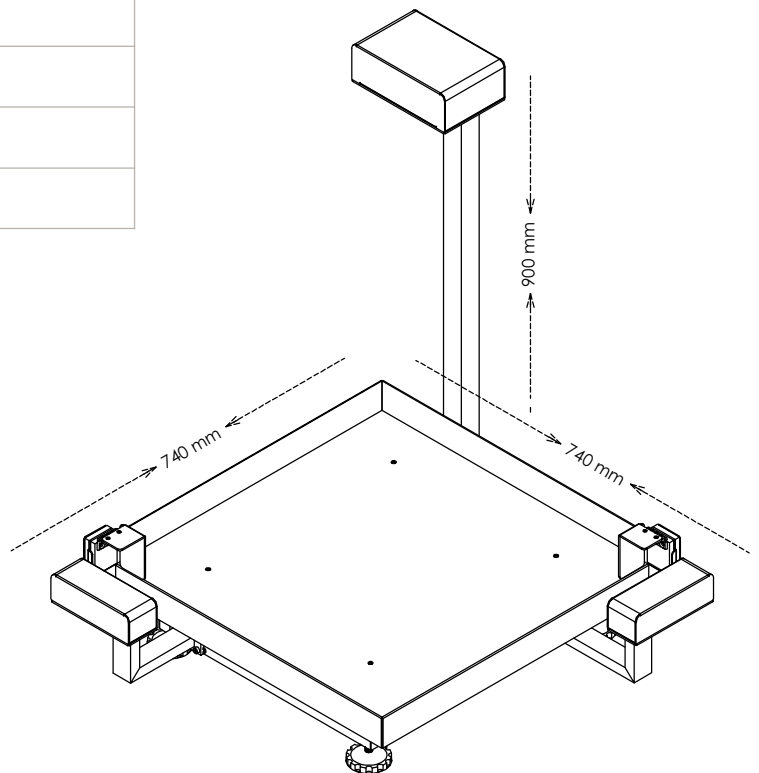
Other Specification	
Object shape	Boxes only
System interface	USB – HID, Ethernet [TCP/IP]
Power requirement	230 VAC, 50 Hz
Power consumption	30 W

Graphic LCD Display



Actual Weight

Volumetric Weight



Form No. : CAT-SI-810VS-056 R01

Essae-Teraoka Pvt. Ltd.

410, 100ft Road, 4th Block,
Koramangala, Bengaluru-560 034
info@essae.com
http://www.essae.com

+91 80 3021 3021
1-800-425-3111
0-78488 12346

Essae®
...for Excellence

Your Essae representative



Note: The above model meets the statutory and regulatory requirements as per the provision of legal metrology Act 2009 and legal metrology (General) Rule, 2011. Specifications are subject to change without notice. Other names and logos used are property of respective brands.