

# SI-810/DS-451TW

Tank Weighing System

**Essae**<sup>®</sup>  
...for Excellence



Load cell kit



SI-810

Ideal Weighing Solution for Process Industries



## Technical Specification

Model	Capacity (kg)	Accuracy (g)	Load cell Kit	MOC
SI-810 / DS-451	300	100	3 Load cell	SS
	1500	500		
	3000	1000		
	6000	2000		
	10000	5000		
SI-810	300	100	4 Load cell	
	1500	500		
	3000	1000		
	6000	2000		
	10000	5000		
SI-810	600	100	3 Load cell	
	600	100	4 Load cell	
DS-451	600	200	3 Load cell	
	600	200	4 Load cell	



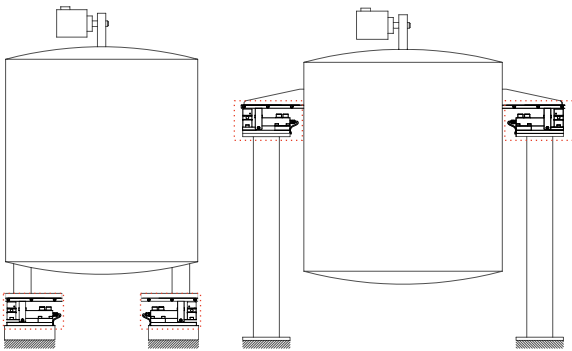
### Sailent Features

- Built-in screw jack for easy maintenance
- Wide choice of indicator options
- Fully Stainless Steel (SS-304)

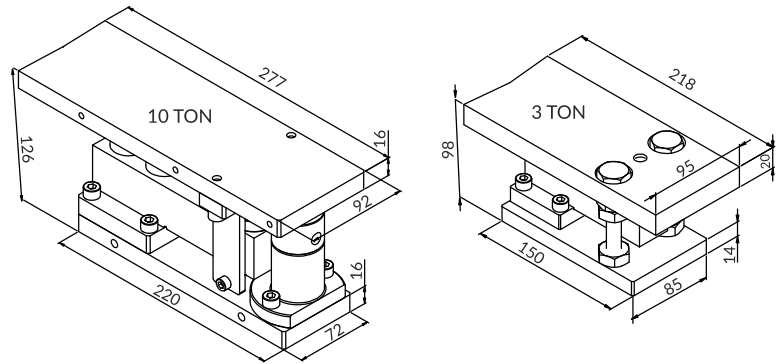
### Load cell Specification

- Nickel plated alloy steel IP67 shear beam load cell
- Adhesive sealed
- High reliability
- OIML certified

### Schematic Representation



### Load cell Dimension (mm)



## Essae-Teraoka Pvt. Ltd.

410, 100ft Road, 4th Block,  
Koramangala, Bengaluru-560 034  
info@essae.com  
<http://www.essae.com>

+91 80 3021 3021  
1-800-425-3111  
0-78488 12346

**Essae**®  
...for Excellence

Your Essae representative



Note: The above model meets the statutory and regulatory requirements as per the provision of legal metrology Act 2009 and legal metrology (General) Rule, 2011. Specifications are subject to change without notice. Other names and logos used are property of respective brands.